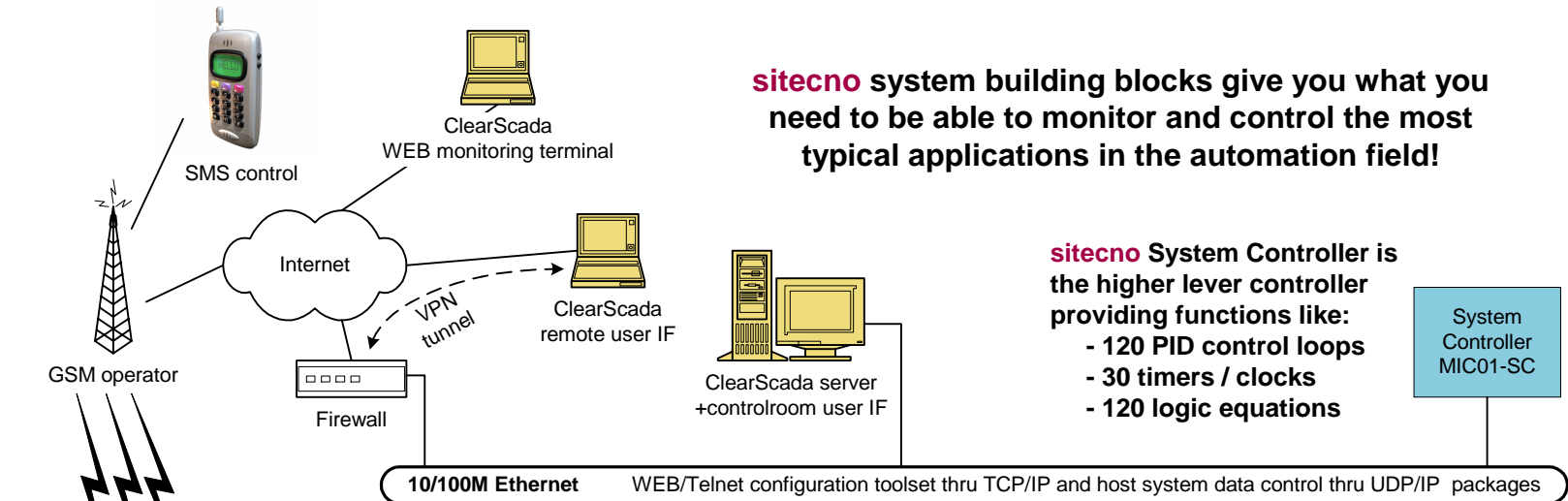


sitecno modular automation system



sitecno system building blocks give you what you need to be able to monitor and control the most typical applications in the automation field!

sitecno System Controller is the higher level controller providing functions like:

- 120 PID control loops
- 30 timers / clocks
- 120 logic equations

System Controller MIC01-SC

Level 4.
Controlroom, user interface, database, reporting

Level 3.
Embedded system control

10/100M Ethernet WEB/Telnet configuration toolset thru TCP/IP and host system data control thru UDP/IP packages

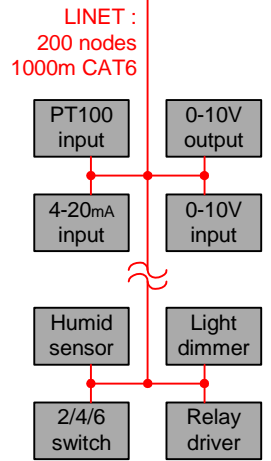
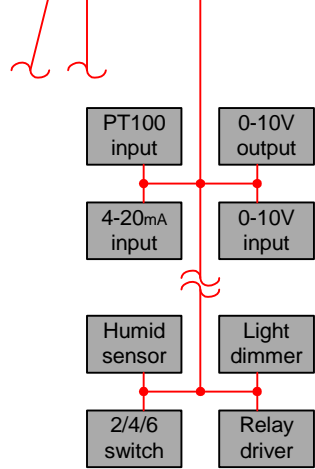
MIC01-CLR controller
+G +G +GSM/GPRS

MIC01-CL controller

sitecno Multi Interface Controller (MIC) is the gateway between easy to use Linet and Ethernet networks. It also provides low level control functions like lighting control, SMS messages, GPRS datatransmission, etc.

MIC01-CL controller MIC01-CL controller MIC01-CL controller

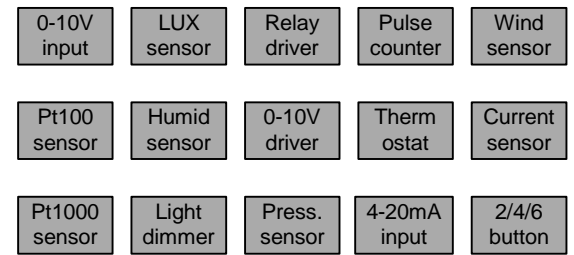
Level 2.
Data packing and transport



LINET : 200 nodes 1000m CAT6

LINET : 200 nodes 1000m CAT6

sitecno interface modules give you the means to interface to most of the typical applications in the automation field!



Level 1.
Field interface modules

